

GFDM12D0

FAN DETECTION MODULE

DETECTS THE ABSENCE
OF FAN CURRENT

LINE VOLTAGE UP TO 230V
FAN CURRENT UP TO 2A
NO/NC OUTPUT SWITCH
DIN BAR MOUNTING

The GFDM12D0 detects the absence of current circulating in the fan. This can be used for ventilation fault signal generation in power semiconductor assembly

Characteristic		Conditions	Value
I _{LOAD} (RMS)	Maximum fan current		2 A
V (RMS)	Maximum voltage (fan side)		230 V
V _{INS} (RMS)	Insulation voltage		2000 V

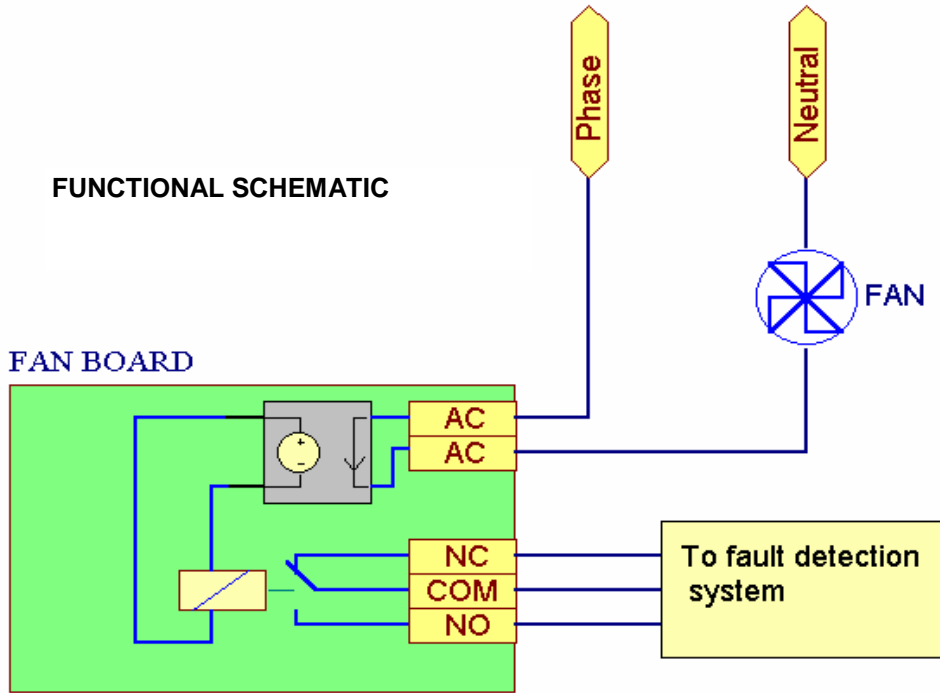
RELAY CONTACT CHARACTERISTICS

V _{MAX} (DC)	Maximum voltage (across contact)		30 V
I _{MAX} (DC)	Maximum current (through contact)		2 A
	Expected electrical life	Number of operations	10 ⁵
	Expected mechanical life	Number of operations	10 ⁸

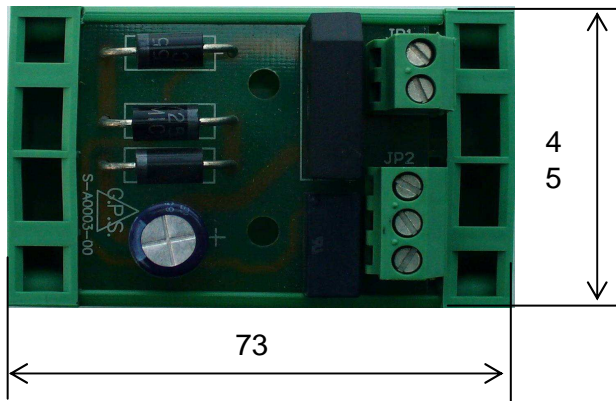
MECHANICAL AND THERMAL CHARACTERISTICS

	Width		45 mm
	Depth		73 mm
	Height		45 mm
W	Weight		55 g
	DIN Bar		35 mm
	Max allowed wire gauge	16 AWG	1.5 mm ²
T _{a max}	Max amb. op. Temp.		40 °C
T _{stg}	Storage temperature		-40/60 °C

FUNCTIONAL SCHEMATIC



OUTLINE



LEGEND	
Terminal	Function
JP 1-1	AC
JP 1-2	AC
JP 2-1	NC
JP 2-2	COM
JP 2-3	NO



All dimensions in mm

In the interest of product improvement Green Power Solutions reserves the right to change any specification given in this data sheet without notice.